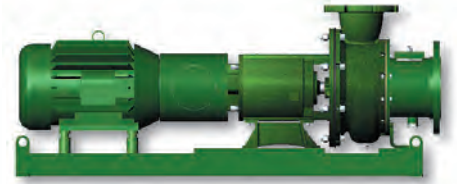




HORIZONTAL

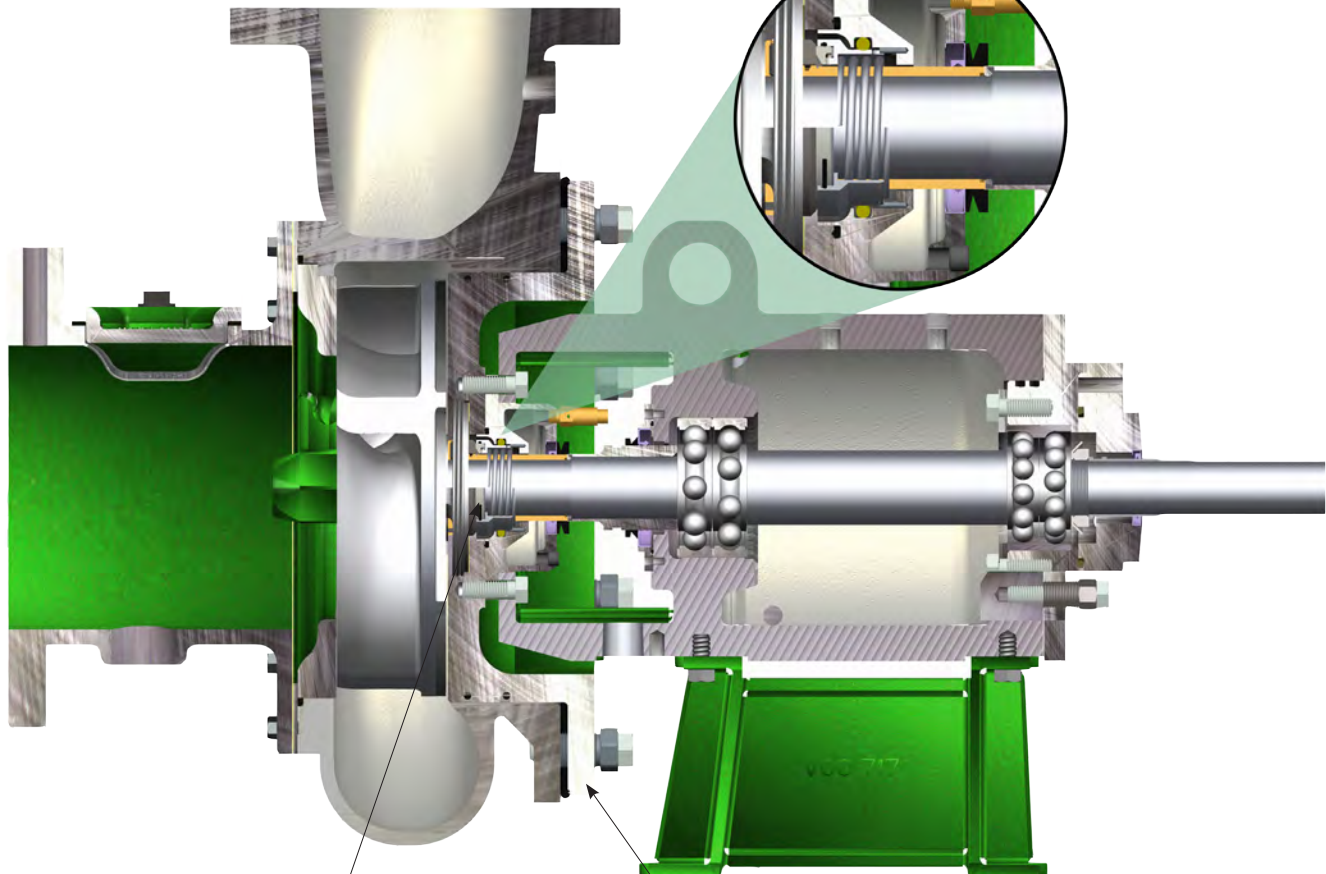
E-Series "Flushless"

- Flushless design, no need for flush water
- Heavy duty cartridge mechanical seal assures dependability
- Heavy duty combined bearing frame design
- Externally adjustable cutter clearances
- Flushed seals available per request



FLUSHLESS VAUGHAN® CARTRIDGE MECHANICAL SEAL

Heavy duty design provides reliable long-term operation without the need for flush water



ELIMINATES STUFFING BOX

No stuffing box means less chance of solids collecting in seal area

ADJUSTABLE BACK PULL-OUT CASING

Allows external adjustment of BOTH impeller-to-cutter bar and impeller-to-upper cutter clearances without disconnection from piping



364 Monte Elma Road, Montesano, WA 98563 USA
Phone: (360)249-4042 • FAX: (360)249-6155 • US Toll Free: (888)249-2467